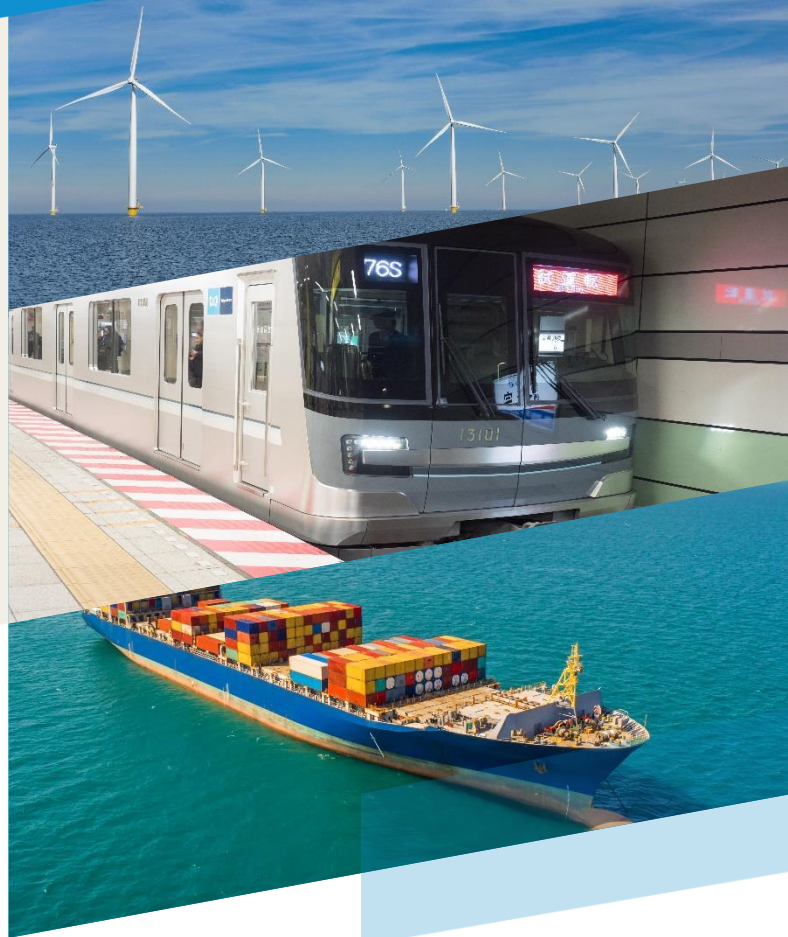


High Performance Attitude Measurement Unit AMU Lite



○ Description

- AMU Lite is 6 degrees of freedom attitude measurement unit that can output roll / pitch angles as well as 3 axes of angle rates and accelerations
- By applying MEMS technology, AMU Lite is designed to achieve smaller, lighter, tougher, and less expensiveness
- AMU Lite achieves a low power consumption and short start up time and is also suitable for system integration

○ Application

Improving the comfortability of railway vehicles

Train attitude monitoring

UAV

Machine attitude monitoring

Maritime guidance and monitoring

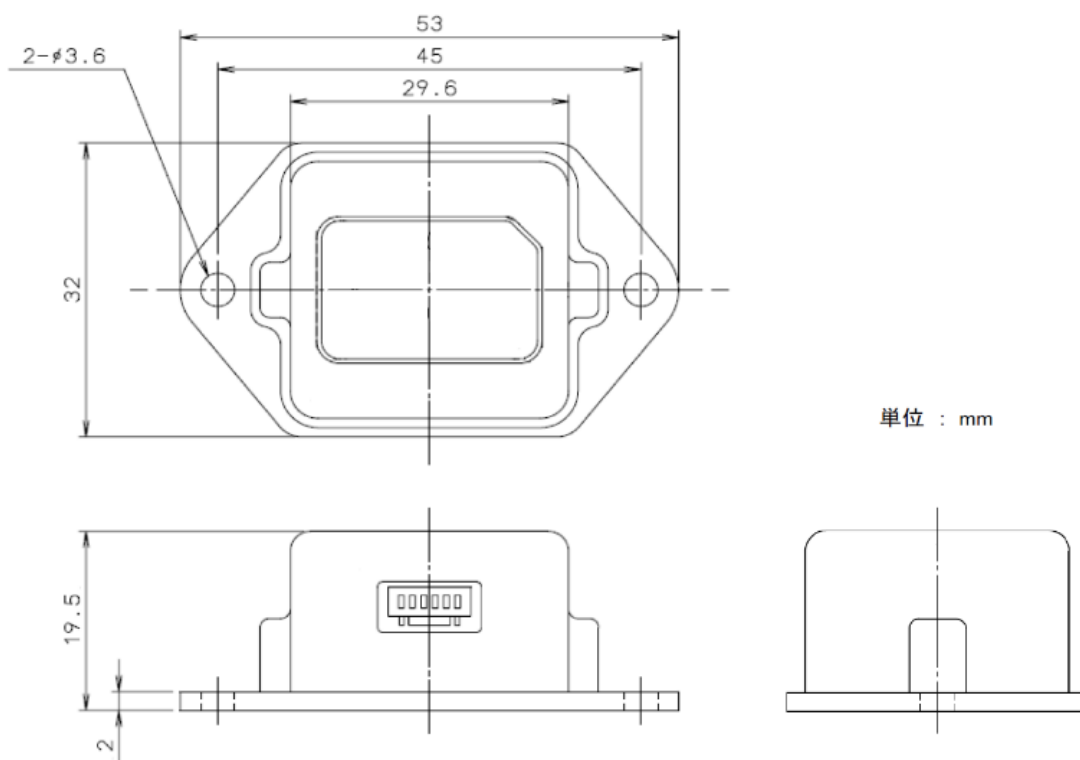
Automotive attitude and monitoring

Precision farming

Etc.

Technical Data

Item		Value
Angle output Roll	Range	$\pm 180^\circ$
	Static accuracy	$< 1^\circ / \cos\theta$
	Dynamic accuracy	$< 2^\circ(\text{rms})$
	Resolution	$< 0.1^\circ\text{max.}$
Pitch	Range	$\pm 85^\circ$
	Static accuracy	$< 1^\circ$
	Dynamic accuracy	$< 2^\circ(\text{rms})$
	Resolution	$< 0.1^\circ\text{max.}$
Warm-up time		< 1 seconds from Power-on
Electrical Interface		SM06B-GHS-TB (JST)
Communication protocol		CAN, RS-232, RS-422
Size & Weight		53mm x 32mm x 19.5mm, 0.04 kg
Power supply		9 to 24 VDC (Typical 12 VDC)
Power consumption		$< 1\text{W}$ (12 VDC)
temperature range		-20 to 60°C (Operation & Storage)



SUMITOMO PRECISION PRODUCTS CO., LTD.

INERTIAL SENSOR SYSTEMS DEPARTMENT

1-10 Fuso-Cho, Amagasaki, Hyogo 660-0891, Japan

T +81(0) 6-6489 5917 F +81(0) 6- 6489 5910 E mems-sales@spp.co.jp

Copyright © SUMITOMO PRECISION PRODUCTS Co., Ltd. All rights reserved.

Visit <https://www.spp.co.jp/mems/en>



Specification subject to change without notice. Issue Sep./2023